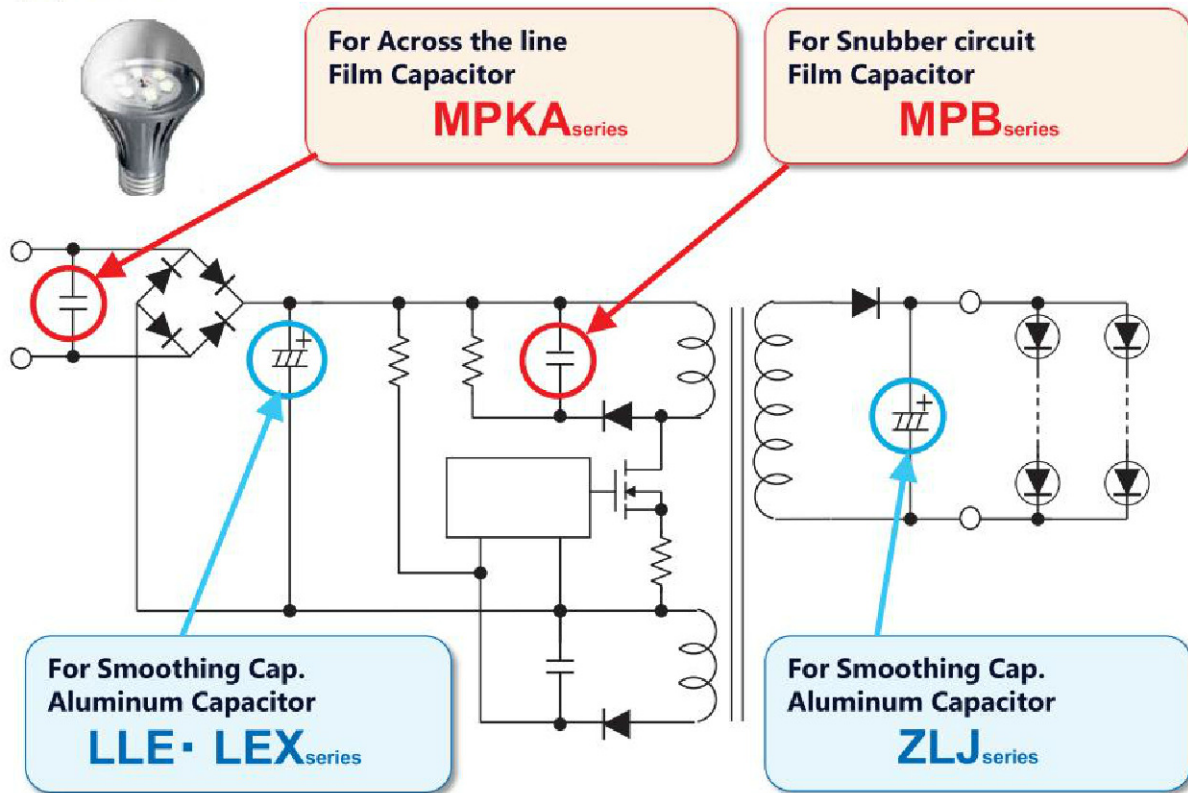


1. Lighting

(1) LED



LED

Aluminum Capacitor
105°C 20,000hours

LLE series

Volt/Cap.: 160~450Vdc / 1~68 μF

125°C 4,000~5,000hours

LEX series

Volt/Cap.: 160~400V / 1~33 μF



Aluminum Capacitor
High Ripple Current, Long Life

ZLJ series

Temp./Life : 105°C / 6,000~10,000hours

Volt/Cap. : 6.3~100Vdc / 8.2~8200 μF



Film Capacitor
For Across the line

MPKA series

Temp.Range: - 40 ~ + 85°C

Rated Voltage: 125, 275Vac

Cap.Range : 0.01~1.0 μF



Film Capacitor
Standard Type

MPB series

Temp.Range: - 40 ~ + 105°C

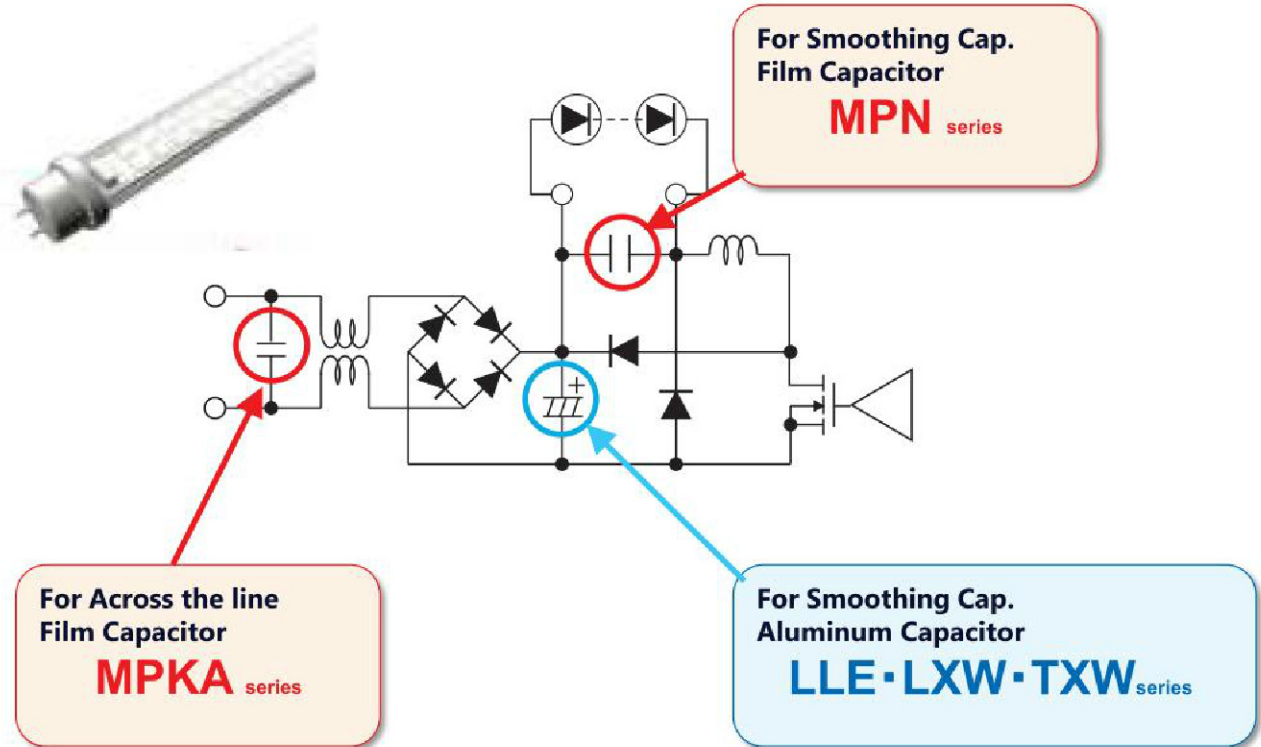
Rated Voltage: 250 ~ 630Vdc

Cap.Range : 0.01~4.7 μF



1. Lighting

(2) LED 1



LED

Aluminum Capacitor
105°C 20,000hours
LLE series

Volt/Cap.: 160~450Vdc / 1~68 μ F



Aluminum Capacitor
Ultra Miniaturized.
LXW series

Temp./Life: 105°C / 10,000~12,000hours
Volt/Cap.: 400~500Vdc / 15~220 μ F



Aluminum Capacitor
Long Life, Miniaturized
TXW series

Temp./Life: 105°C / 7,000~12,000hours
Volt/Cap.: 35~450Vdc / 12~1,800 μ F



Film Capacitor
For Across the Line **MPKA series**

Temp.Range : - 40 ~ + 85°C
Volt Range : 125, 275Vac
Cap.Range : 0.01~1.0 μ F

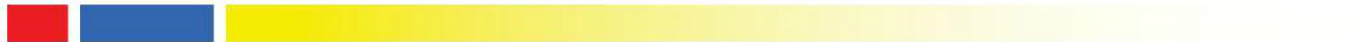
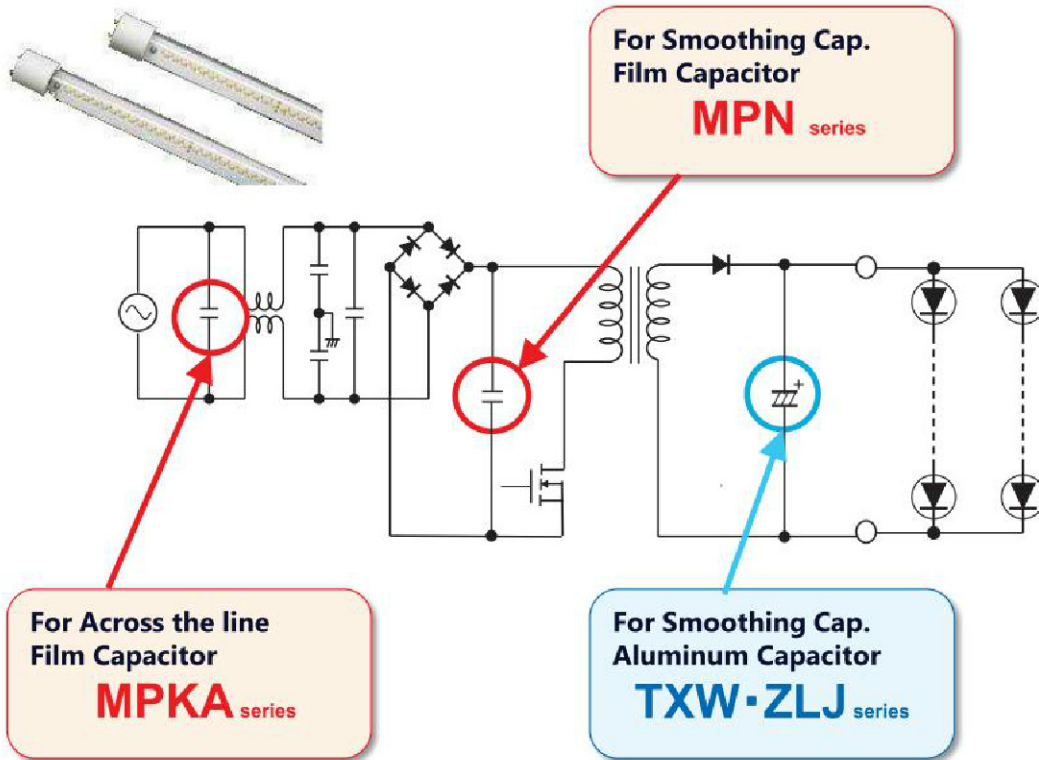
Ultra Miniaturized **MPN series**

Temp.Range : - 40 ~ + 85°C
Volt Range : 450, 630Vdc
Cap.Range : 0.1~3.3 μ F



1. Lighting

(2) LED 2



LED

Aluminum Capacitor
Long Life, Miniaturized
TXW series
 Temp./Life: 105°C / 7,000 ~ 12,000 hours
 Volt/Cap.: 35 ~ 450Vdc / 12 ~ 1,800 μF



Aluminum Capacitor
High Ripple Current, Long Life
ZLJ series
 Temp./Life : 105°C / 6,000 ~ 10,000 hours
 Volt/Cap. : 6.3 ~ 100Vdc / 8.2 ~ 8200 μF



Film Capacitor
For Across the Line
MPKA series
 Temp.Range : - 40 ~ + 85°C
 Volt Range : 125, 275Vac
 Cap.Range : 0.01 ~ 1.0 μF

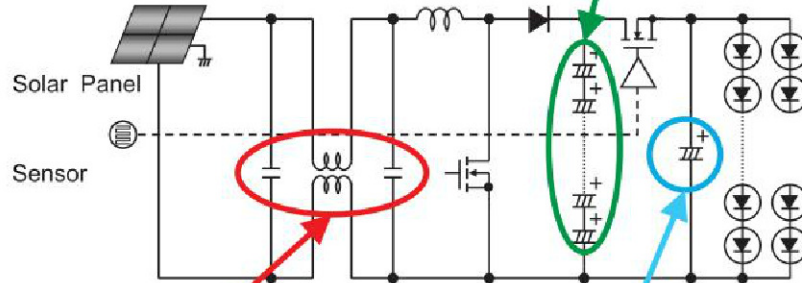


Film Capacitor
Ultra Miniaturized
MPN series
 Temp.Range : - 40 ~ + 85°C
 Volt Range : 450, 630Vdc
 Cap.Range : 0.1 ~ 3.3 μF




1. Lighting

(2) LED 3



For Backup
ElectricDoubleLayerCapacitor
DMB·DMC·DMG series

For DC-Link
Film Capacitor
MPK series

For Smoothing Cap.
Aluminum Capacitor
TXW·ZLJ series



LED

Film Capacitor
MPK series

Temp.Range: - 40 ~ + 105°C (+85°C)
Volt Range: 450 ~ 800Vdc
Cap.Range: 0.1~4.7 μF

Aluminum Capacitor
Long Life
TXW series

Temp./Life: 105°C/7,000~12,000hours
Volt/Cap.: 35~450Vdc/12~1,800 μF

EDLC
DMB series

Temp./Life : - 25 ~ + 70°C/1,000hours
Volt/Cap. : 2.5Vdc/2.2~150F

DMC series

Temp./Life: - 25 ~ + 70°C/1,000hours (3Vdc 60°C)
Volt/Cap. : 2.7Vdc/2.2~10F, 3Vdc/1~3.3F

DMG series

Temp./Life: - 25 ~ + 70°C/1,000hours
Volt/Cap. : 2.5Vdc/1~30F, 2.7Vdc/1~10F

Aluminum Capacitor
High Ripple Current , Long Life
ZLJ series

Temp./Life : 105°C/6,000~10,000hours
Volt/Cap. : 6.3~100Vdc/8.2~8200 μF